



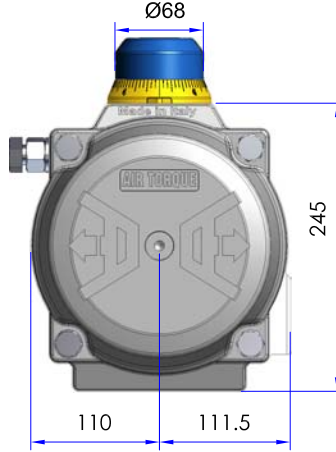
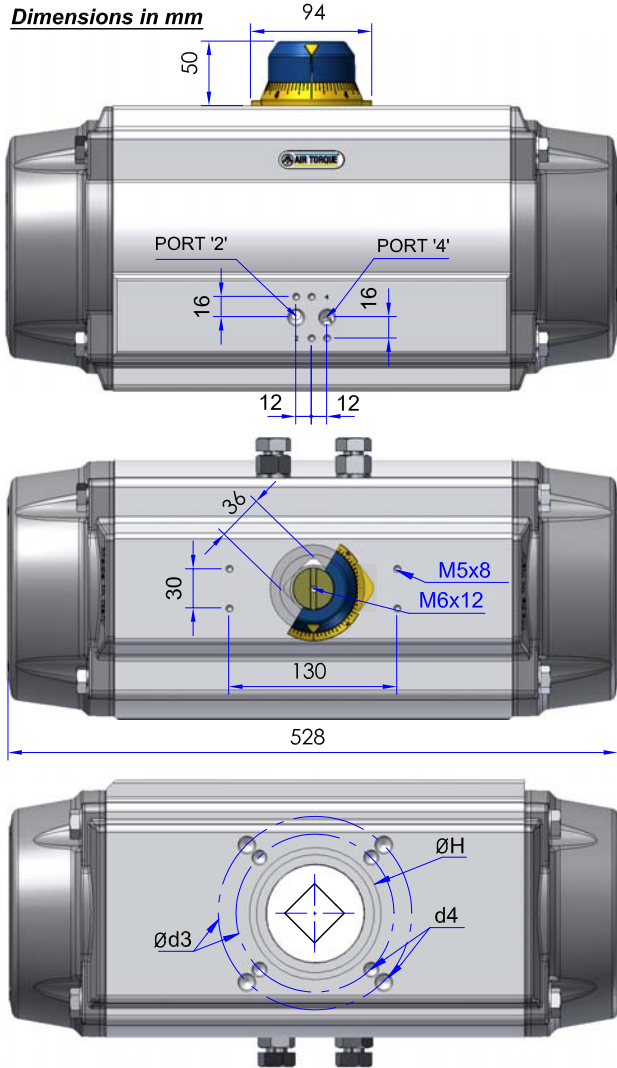
# AIR TORQUE

**AIR TORQUE S.p.A.**  
 via Alla Campagna, N° 1  
 24060 Costa di Mezzate (Bg) Italy  
 Tel.: +39 035 682299  
 Fax: +39 035 687791  
 E-mail: info@airtorque.it

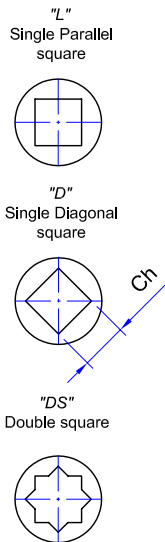
**Model AT601 U**  
**D/S - 90°**

T.D.S. n° **AT601U-DM**  
 Issued on: 10/09 - Page 1/1

**Dimensions in mm**

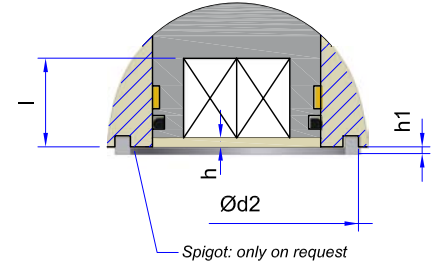


**Optional Square:**



**ISO 5211 Flange Dimensions Available**

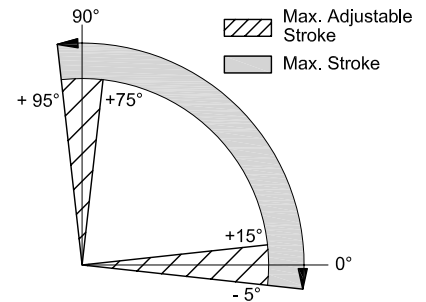
ISO 5211	STD	OPTIONAL	
	F14	F10	F12
Ø d2	100	NA	85
Ø d3	140	102	125
d4	M16x24	M10x15	M12x18
Ø H	100	85	
Ch x l min.	22x40 - 36x38		
DS	27x40 - 36x38		
h min.	2	2	2
h1	3	NA	1,5



**Connection / Attachment**

Pressure connection: Port 2 and 4	<b>G1/4"</b>
Ancillary Attachment	<b>AA 4</b>

**Rotation and stroke adjustment**



**Output Torque**

Pressure	OUTPUT TORQUE FOR DOUBLE ACTING IN Nm												APPROX. WEIGHT (Kg)
	2,5 bar 0° 90°	3 bar 0° 90°	3,5 bar 0° 90°	4 bar 0° 90°	4,2 bar 0° 90°	4,5 bar 0° 90°	5 bar 0° 90°	5,5 bar 0° 90°	6 bar 0° 90°	7 bar 0° 90°	8 bar 0° 90°		
D	532	638	745	851	893	957	1064	1170	1276	1489	1702	34,3	

Pressure	OUTPUT TORQUE FOR SPRING RETURN IN Nm												Spring stroke 90° 0°	APPROX. WEIGHT (Kg)					
	2,5 bar 0° 90°	3 bar 0° 90°	3,5 bar 0° 90°	4 bar 0° 90°	4,2 bar 0° 90°	4,5 bar 0° 90°	5 bar 0° 90°	5,5 bar 0° 90°	6 bar 0° 90°	7 bar 0° 90°	8 bar 0° 90°								
Spring	Start End	Start End	Start End	Start End	Start End	Start End	Start End	Start End	Start End	Start End	Start End	Start End	Start End	Start End	Start End	Start End	Start End	Start End	
S 05	319 217	426 323	532 430	638 536	681 578	745 642	851 749											315 213	38,2
S 06	277 154	383 260	489 367	596 473	638 515	702 579	808 686	915 792										378 255	39
S 07		341 197	447 304	553 410	596 453	660 516	766 623	872 729	979 835									441 298	39,7
S 08			404 241	511 347	553 390	617 453	723 560	830 666	936 772	1149 985								504 340	40,5
S 09				468 284	511 327	575 390	681 497	787 603	894 709	1106 922	1319 1135							567 383	41,3
S 10						532 327	638 434	745 540	851 646	1064 859	1277 1072							630 425	42
S 11							596 371	702 477	809 583	1021 796	1234 1009							693 468	42,8
S 12								660 414	766 520	979 733	1192 946							756 510	43,6

**Technical Data**

Max. Pressure	Rotation (For STD)	Screw stroke Adjustment	Chamber φ (mm)	Air Volume (L)		Moving Time (Sec.) (A)	
				Opening	Closing	Opening	Closing
8 bar	0° - 90°	For 1° adj. need 1/6 Turn	200	5,94	9,46	D 2,7 S 3,5	D 3,2 S 4,0

**Operating Temperature Range**

Operating Temperature (°C) (B)		
ST (standard)	HT (high temperature)	LLT (Extreme low temperature)
- 40 to + 80	- 15 to + 150	- 55 to + 80

A) - The above indicated moving time of the actuator is obtained in the following test conditions: (1) Room Temperature, (2) Actuator Stroke 90°, (3) Solenoid Valve with Orifice of 11 mm and a flow capacity Qn 6000 L/min., (4) Inside pipe diameter 11 mm, (5) Medium clean air, (6) Air supply pressure 5,5 bar (79,75 Psi), (7) Actuator without external resistance load. **Caution: obviously on the field applications when one or more of the above parameters are different, the moving time will be different.**

B) - Every temperature range option requires proper components and lubricant. See technical data-sheet N° T.D.S. U00501E.

**Operating Medium:**

The operating medium must be free of dust and oil. The maximum particle size must not exceed 30µ (ISO 8573 Part1, Class5). In order to prevent water condensation and/or solidification (ice when actuator works below 0°C), the operating medium must have a dew point equal to -20°C or at least 10°C below the ambient temperature (ISO 8573 Part1, Class3).